

# Videojet® 1610

Small Character Ink Jet Printer

## Ink Jet.

Laser.

Thermal Transfer.

Labelers.

Track & Trace.

Supplies.

Parts & Service.

Superior uptime in high speed applications for greater productivity. The all-new Videojet 1610 continuous ink jet printer is designed for customers with high speed production lines and around the clock coding, delivering 12,000 hours of production before required preventive maintenance. New vapor recovery feature allows for longer runs without intervention.

## Advanced capabilities

- Up to 5 lines of high resolution print with speeds up to 960 fpm (293 mpm), 7x4 twin line up to 480 fpm (146 mpm)
- Advanced clean flow printhead design maximizes uptime
- New vapor recovery system for low solvent consumption
- Advanced connectivity makes integration simpler



## Simple to maintain

- 12,000-hour core life

## Superior environmental protection

- IP65 dust protection (no plant air required)

**VIDEOJET**  
Uptime Peace of Mind®



### Line Speed Capability

Can print 1 to 5 lines of print at speeds of up to 960 fpm (293 ppm) (10 characters per inch, single line of print)

### Font Matrix Configuration

Single-line: 5x5, 4x7, 5x7, 7x9, 9x12, 10x16, 16x24, 25x34  
Twin-line: 5x5, 5x7, 7x9, 9x12, 10x16  
Tri-line: 5x5, 4x7, 5x7, 7x9  
Quad-line: 5x5, 4x7, 5x7  
Five-line: 5x5

### Linear Bar Codes

UPC A&E; EAN 8 & 13; Code 128 A, B & C; UCC/EAN 128; Code 39; Interleaved 2 of 5; 2D DataMatrix; GS1

### DataMatrix Codes

10x10, 12x12, 14x14, 16x16, 8x18, 18x18, 20x20, 22x22, 24x24, 16x26, 26x26, 8x32, 32x32, 34x34, 12x36, 16x36, 16x48

### Nominal Character Height

Selectable from 0.079" (2 mm) to 0.40" (10 mm), depending on font

### Throw Distance

Optimal: 0.472" (12 mm)  
Range: 0.197" (5 mm) to 0.591" (15 mm)

### Keyboard

Membrane style with tactile feedback, including 72 numeric, alphabetic, and special function keys. PC-style layout to approximate international PC convention.

### Display

320x240 Bright blue backlit 5.7" LCD display.  
WYSIWYG onscreen message editing

### Custom Logo/Graphics

Can be created by individual user on printer or PC with optional Videojet Logo Creator software

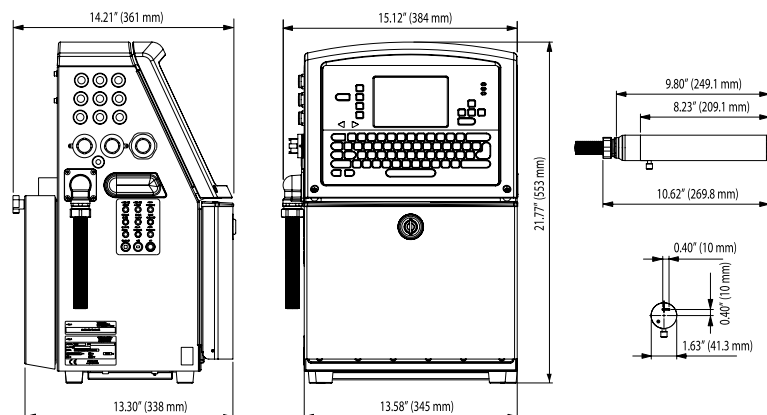
### Character Sets

Chinese, Russian/Bulgarian, Turkish/Scandinavian, Greek, Arabic, Japanese/Kanji, Hebrew, Korean, East European and European/American

### Languages and Interface Options

English, Arabic, Bulgarian, Czech, Danish, Dutch, Finnish, French, German, Greek, Hebrew, Hungarian, Italian, Japanese, Korean, Norwegian, Polish, Portuguese, Russian, Simple Chinese, Spanish, Swedish, Thai, Traditional Chinese, Turkish and Vietnamese

## Dimensions



### Data Interface

Clarisoft/Clarinet® via RS232, RS 485, and Ethernet (standard)

### Message Storage

250 complex messages. Unlimited storage using USB.

### Console Dimensions

316 Stainless steel  
21.77" (553 mm) high  
13.58" (345 mm) wide  
13.30" (338 mm) deep

### Environmental Protection

IP65 standard, no plant air required

### Printhead

Heated printhead  
Positive air (standard)  
Diameter: 1.63" (41.3 mm)  
Length: 10.62" (269.8 mm)

### Printhead Umbilical

Ultra flexible  
Length: 9.84' (3 m) optional 19.69' (6 m)  
Diameter: 0.91" (23 mm)  
Bend radius: 3.00" (76.2 mm)

### Fluids Containers

Ink Smart Cartridge™ 0.793 qt. (750 ml)  
Make-up Smart Cartridge 0.793 qt. (750 ml)

### Temperature/Humidity Range

41°F to 113°F (5°C to 45°C)  
0% to 90% RH non-condensing

### Electrical Requirements

Nominal supply power 100-120 / 200-240 VAC at 50/60 Hz., 120 W

### Approximate Weight

Unpacked and dry: 46.2 lbs. (21 kg)

### Options

Dry air kit for high humidity (requires plant air)  
Expanded I/O for remote message select and remote printer shut-off  
Food grade version  
90 degree printhead  
Wide range of accessories



800-843-3610

[www.videojet.com](http://www.videojet.com) / [info@videojet.com](mailto:info@videojet.com)

Videojet Technologies Inc. / 1500 Mittel Blvd.

Wood Dale IL 60191-1073 / USA

Phone 630-860-7300 Fax 630-616-3623

